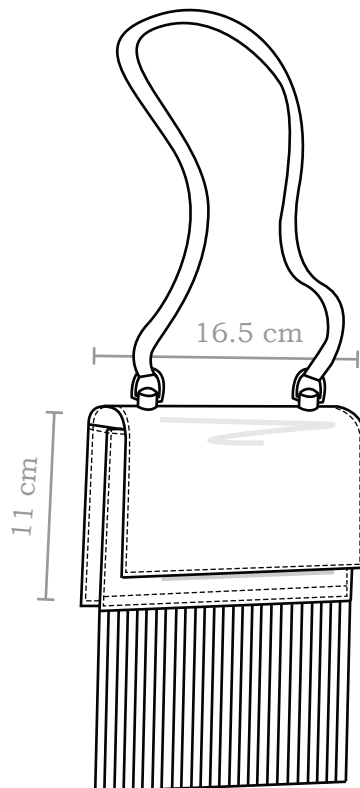


The Katie Purse

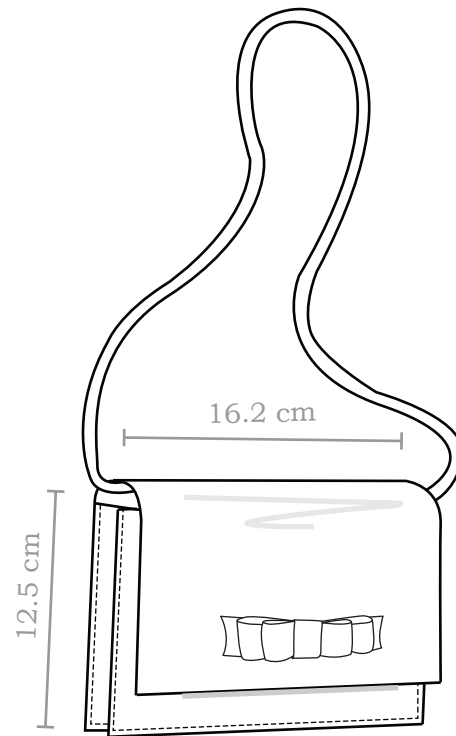
View A	Self	Lining	Stiffener	Notions
Suggested Fabrics	Lambskin leather, moleskin leather, or any other relatively lightweight leather	Pig suede or any other thin sueded leather	Leather stiffener or Tintex craft stiffener	1 x 18mm magnetic snap 2 x 17x20mm swivel D rings Cording - 42" long
Yardage	4 square feet	3 square feet	30" wide x 9" long	

View B	Self	Lining	Stiffener	Notions
Suggested Fabrics	Velvet, brocade, tweed, tafetta, silk	Tafetta	Tintex craft stiffener	1 x 18mm magnetic snap Cording - 49" long Scrap of leather 6" x 6"
Yardage	1/3 yd.	1/3 yd.	1/3 yd.	
Width	60" wide	60" wide	30" wide	

View A



View B





MOUSSELINE

PATTERNS

Test Print

This box should
measure 3" by 3"
exactly.

The Katie Purse View A



Katie Purse - View A

Purse Front & Centers

No SA

Cut 3 Self

3 Lining

3 Stiffener



Front Flap should fold to this point



Katie Purse - View A

Purse Back & Front Flap

No SA

Cut 1 Self

1 Stiffener



Katie Purse - View A

Purse Back & Front Flap Lining

No SA

Cut 1 Lining

1/2" SA

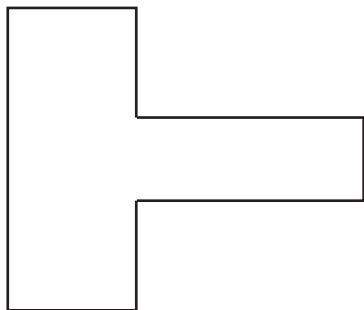


Katie Purse - View A

Fringe

Cut 1 Self

Slash Lines



Katie Purse - View A

Strap Ends

No SA

Cut 2 Self

Test Print

This box should
measure 3" by 3"
exactly.

The Katie Purse View B



Katie Purse - View B

Front & Centers

3/8" SA

Cut 3 Self

3 Lining



Front Flap should fold to this point

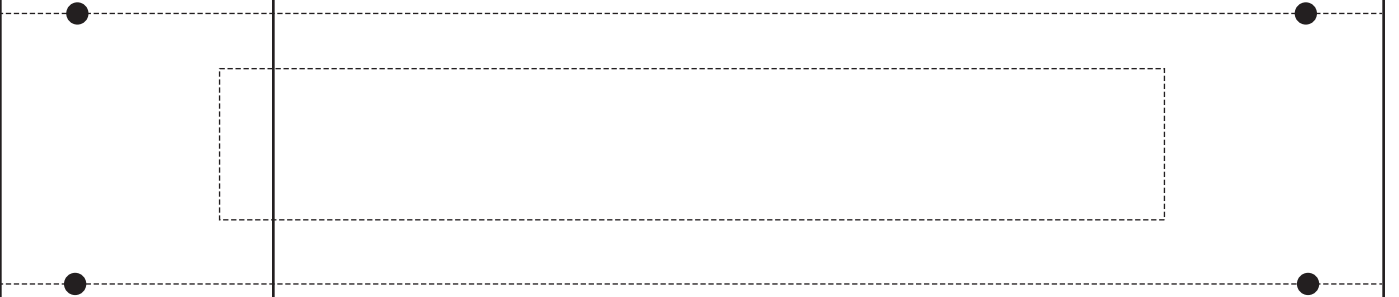




Katie Purse - View B
Purse Back & Front Flap
3/8" SA

Cut 1 Self





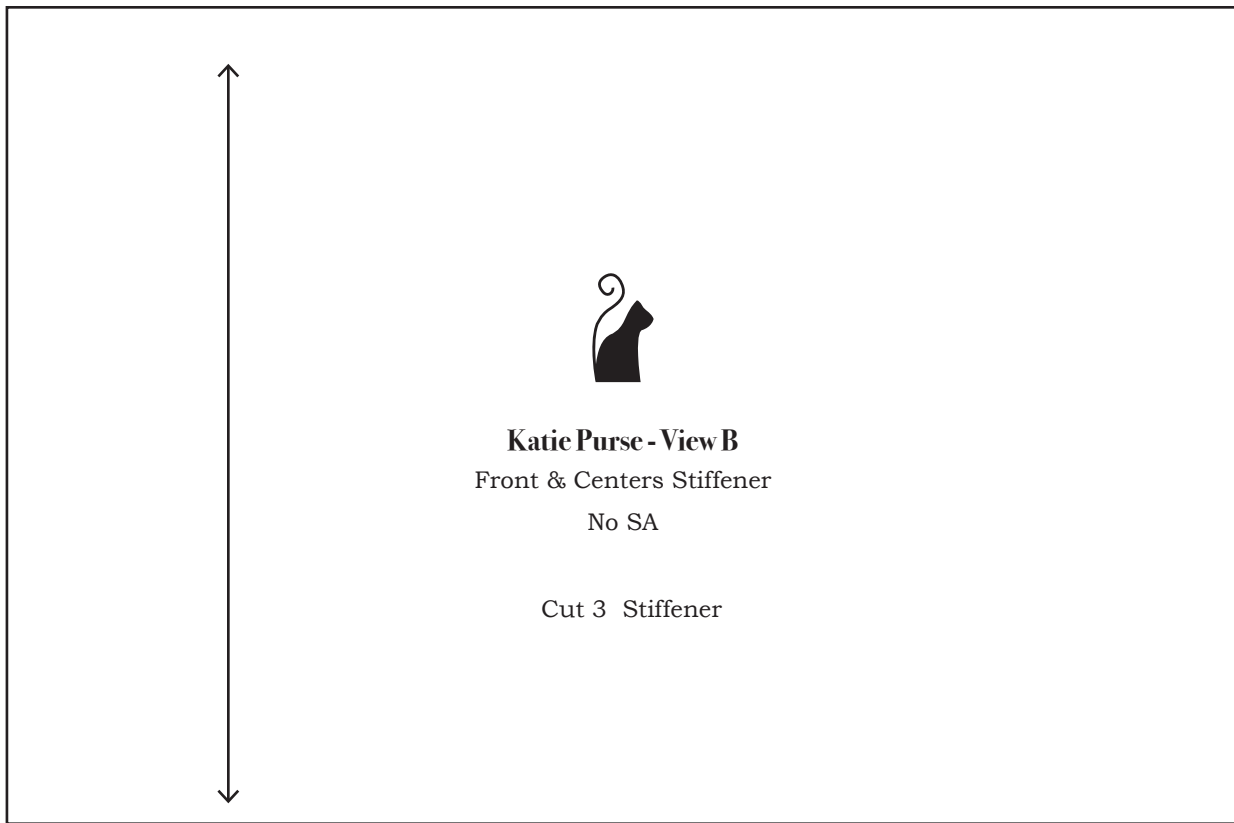
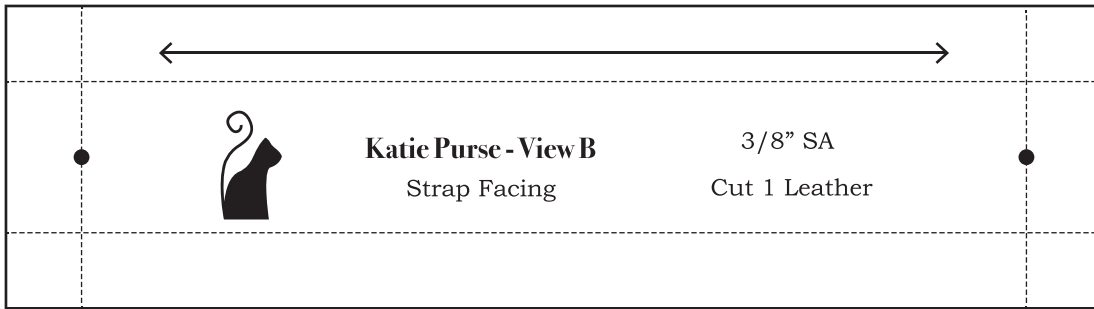
Katie Purse - View B

Purse Back & Front Flap Lining

3/8" SA

Cut 1 Lining







Katie Purse - View B

Purse Back & Front Flap Stiffener

No SA

Cut 1 Stiffener





Katie Purse - View B

Bow - Center Tie

No SA

Cut 1 Leather



Katie Purse - View B

Bow - Bottom Loop

No SA

Cut 1 Leather



Katie Purse - View B

Bow - Top Loop

No SA

Cut 1 Leather



Katie Purse - View B

Bow - Base

No SA

Cut 1 Leather